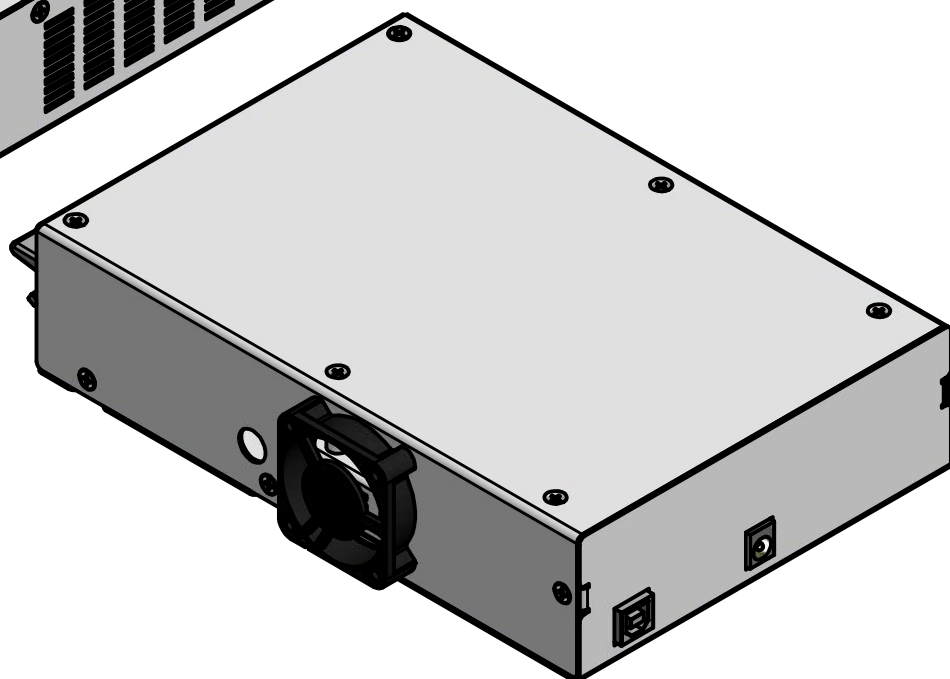
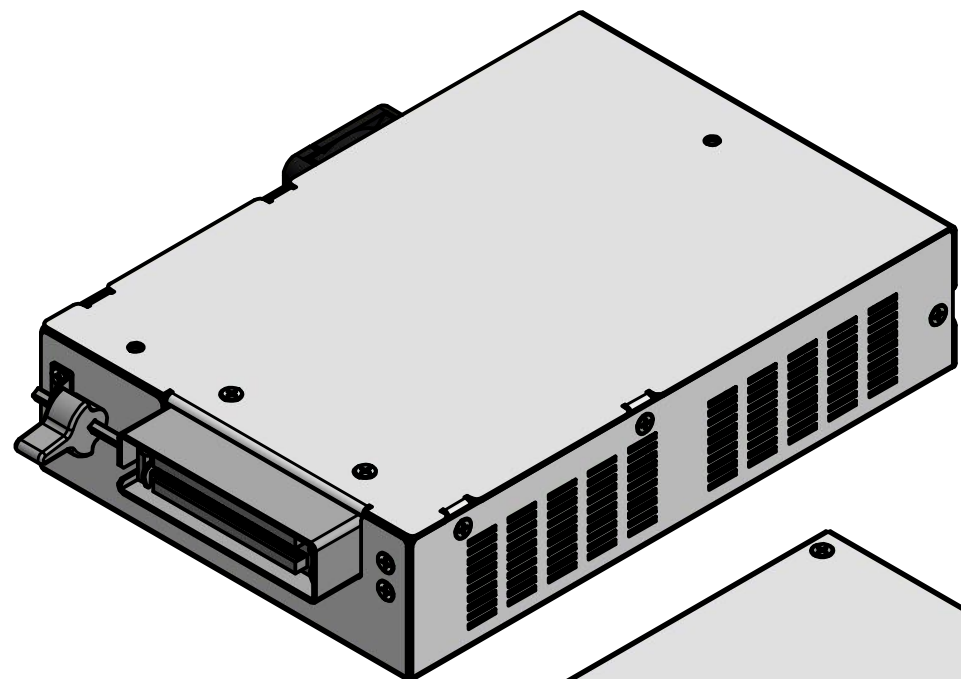
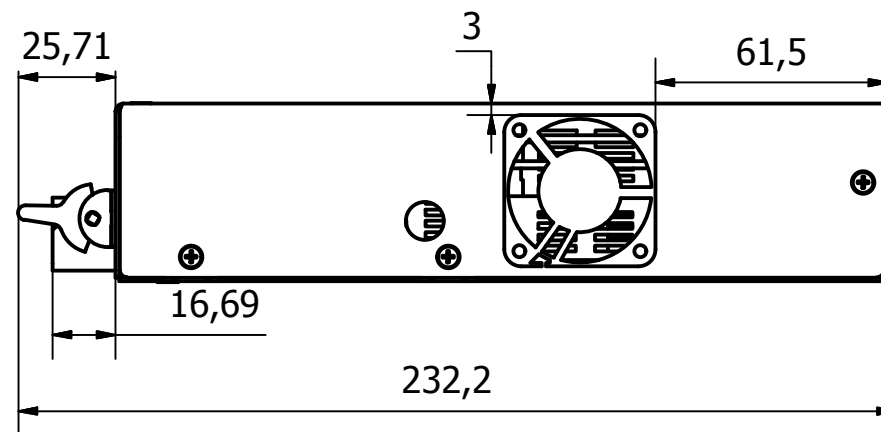
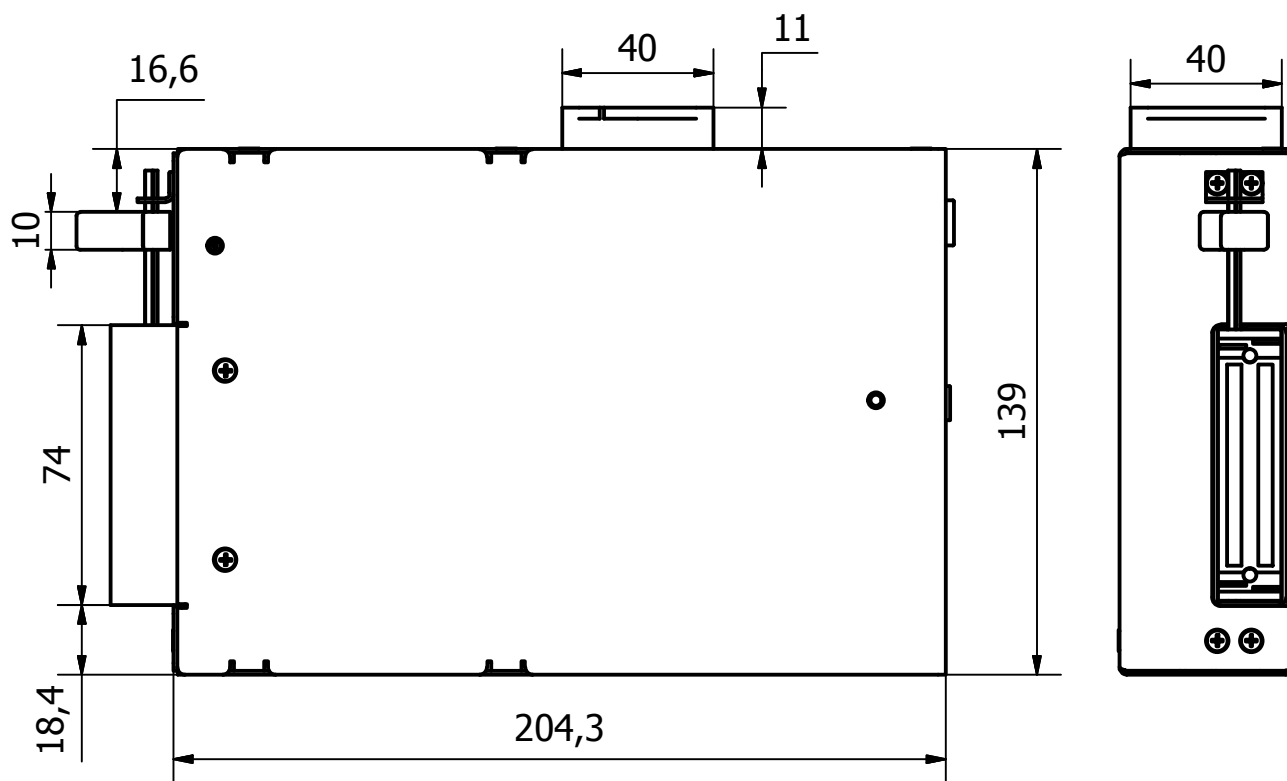
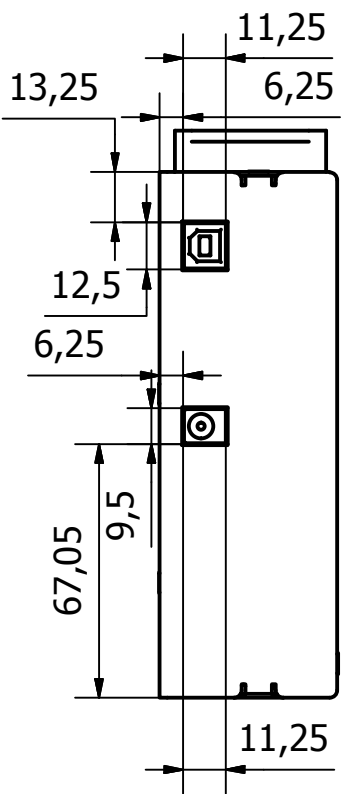
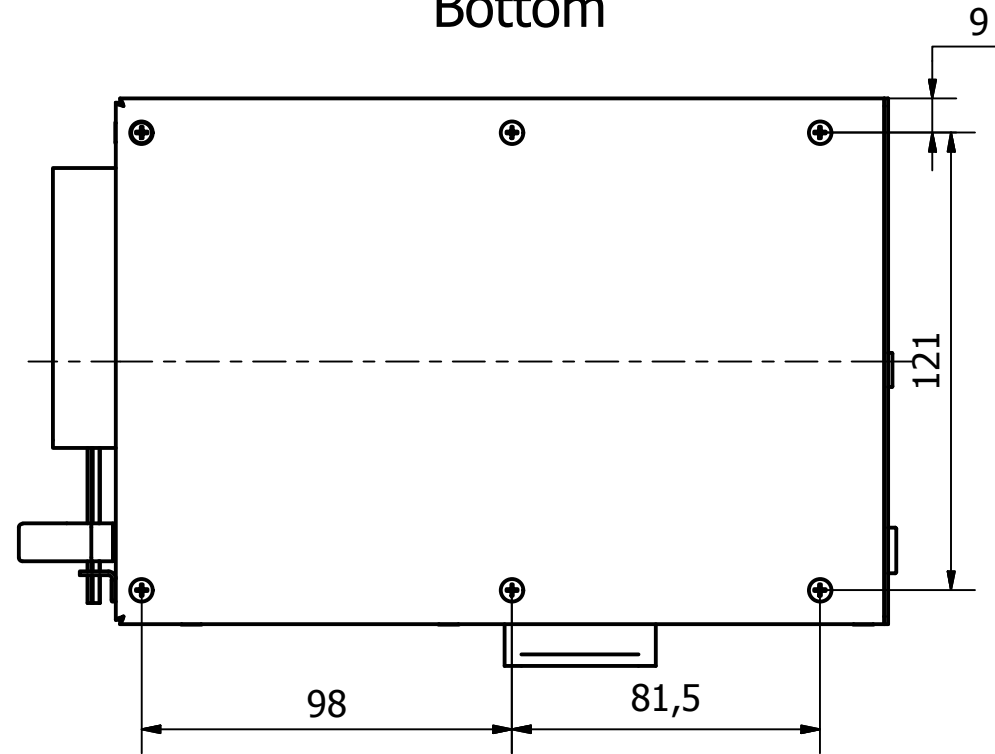


Bottom



Designed by I. Ciunel	Checked by	Approved by	Date	Date 7/27/2017
TELEMED			SmartUs	
SmartUs OEM-1M			Edition B	Sheet 1 / 1